

CANLink® CL-307-103 Module Constant Current Output Module

8 Outputs and 3 Inputs including:

- (8) 2-wire constant current 2A PWM outputs configured as 4 complimentary pairs.
- (2) harness codes*
- (3) 10-bit analog inputs
- (1) J1939 CAN ports



Representative Product Photo

The CL-307 is a solid-state microprocessor based module and member of the HED® CANLink® multiplexed control family. Delivered in a Deutsch enclosure, this unit provides a high density I/O count in a compact and economical package.

Designed for use as a stand alone unit or as part of a distributed system, the CL-307 is also available in a clear enclosure with LED indicators for each input or output for simple troubleshooting in the field.

The HED® CL-307 can be programmed using HED®'s do-it-yourself CANLink® Composer™ programming tool or directly by HED® engineering, and is designed for use with the CANLink® Conductor™ software tool for diagnostics and field troubleshooting.

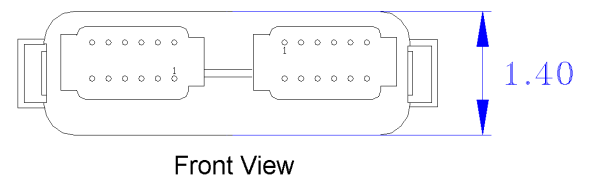
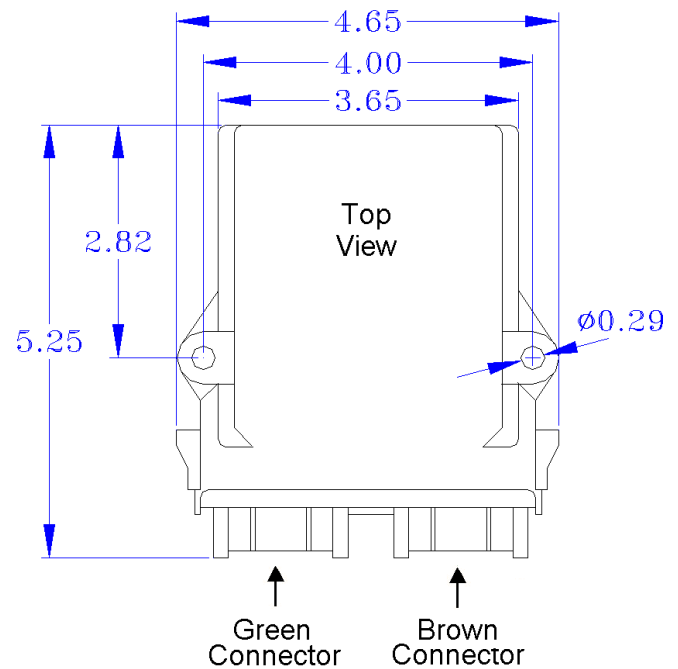
Specifications

Enclosure:	Deutsch standard EEC-325x4 PCB enclosure with 24-pin receptacle.
Connectors:	DTM06-12SC DTM06-12SD WM-12S (wedge) – Two needed (one per connector) 0462-201-20141 20AWG sockets 0462-005-20141 16-18AWG sockets 0413-204-2005 Sealing Plugs – Unused pins are required to be sealed to maintain module sealing
Operating Voltage Range:	8 to 32 VDC
Operating Temperature:	-40°C to 70°C
Storage Temperature:	-40°C to 85°C
IP Rating:	IP 67
PC Boards:	The printed circuit boards are designed for high EMI/RFI protection. The boards are conformal coated with a silicone coating for further water/moisture protection. All inputs and outputs are protected against shorts to Battery(+) or Battery(-). 100% of the boards are functionally tested before shipment. * Harness codes are switch to ground inputs used to identify I/O module location and function to the master controller

CL-307-103 Constant Current Output Module

CL-307-103 Constant Current Output Module Pinout

Green 12-Pin Connector		Brown 12-Pin Connector	
Pin	Function	Pin	Function
1	Ground - Analog Inputs	1	Return(-) Outputs 5-6
2	BAT(-) Module	2	Return(-) Outputs 7-8
3	CAN1-H	3	Output #5 DOUT(+)/PWM(+)/CC(+)(2A)
4	CAN1-L	4	Output #6 DOUT(+)/PWM(+)/CC(+)(2A)
5	BAT(+) Outputs 1-4	5	Output #7 DOUT(+)/PWM(+)/CC(+)(2A)
6	BAT(+) Module / Input #4 Battery Voltage	6	Output #8 DOUT(+)/PWM(+)/CC(+)(2A)
7	Output #1 DOUT(+)/PWM(+)/CC(+)(2A)	7	BAT(+) Outputs 5-8
8	Output #2 DOUT(+)/PWM(+)/CC(+)(2A)	8	Input #1 AIN (0-5.5VDC)
9	Output #3 DOUT(+)/PWM(+)/CC(+)(2A)	9	Input #2 AIN (0-5.5VDC)
10	Output #4 DOUT(+)/PWM(+)/CC(+)(2A)	10	Input #3 AIN (0-5.5VDC)
11	Return(-) Outputs 1-2	11	HID #1
12	Return(-) Outputs 3-4	12	HID #2



Note: Above pinout is for HED® part number CL-307-103.
Additional part number data sheets available on HED® website.

Note: BAT(-) Output pins are required to be connected to system Battery(-) for proper function of 2-Wire Constant Current Outputs and for proper suppression of PWM output flyback voltage spikes